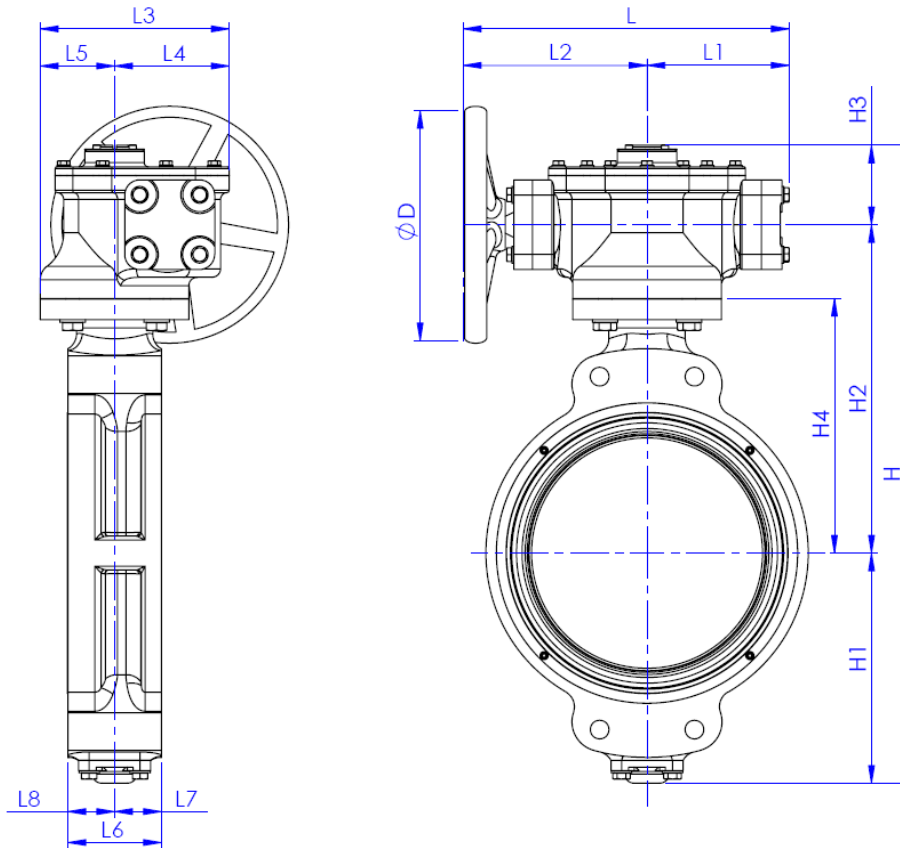




CBT-1200H

MANUAL BUTTERFLY VALVE

Drawing of CBT-1200H

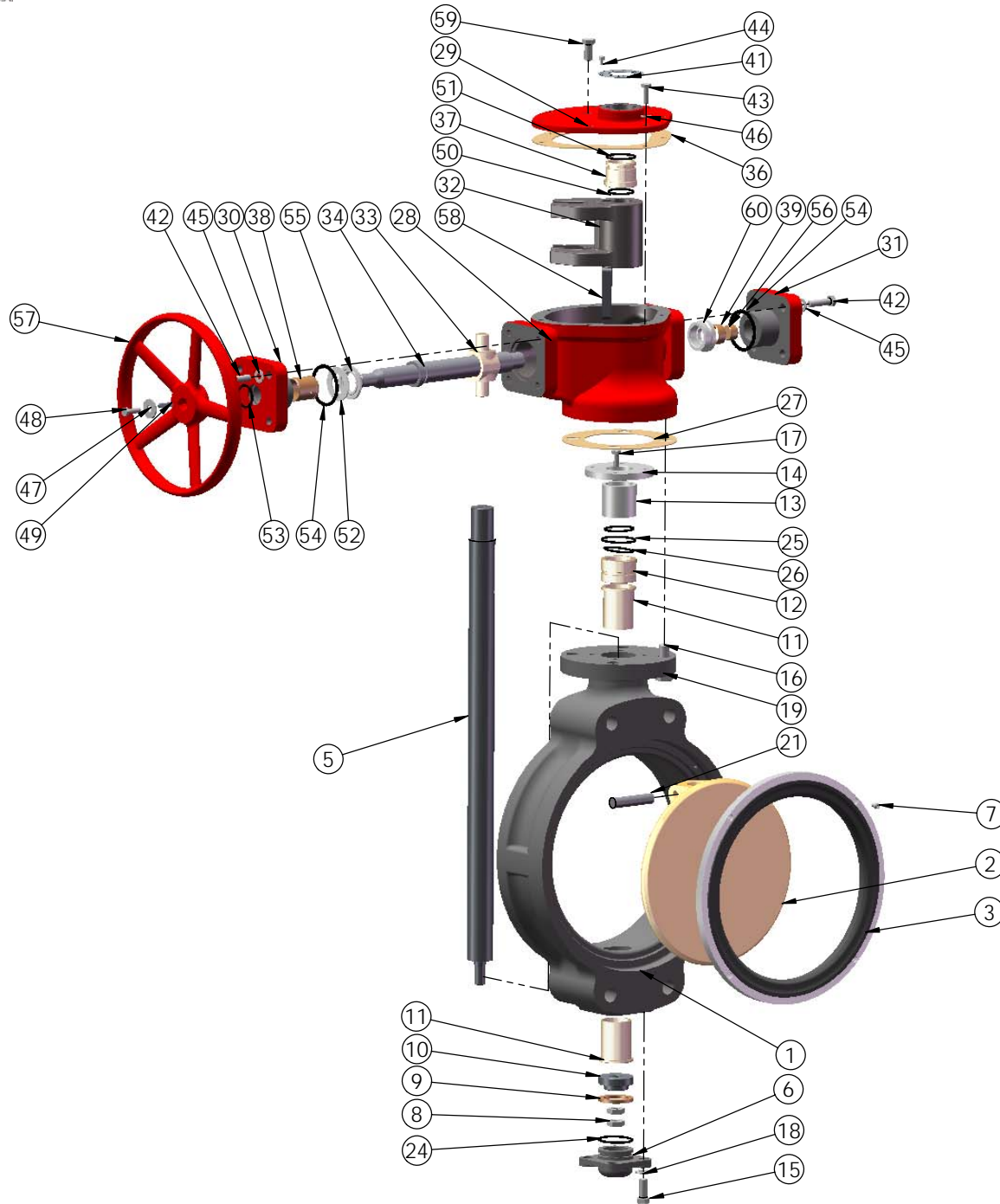


Size	Acc	H	H1	H2	H3	H4	L	L 1	L 2	L 3	L 4	L 5	L 6	L 7	L 8	ØD	Nº Turns	WGT. Kg.
Inch.-mm.																		
1,5" - 40	M10	265	50	160	55	105	252	97	155	182	132	50	33	16	17	180	15	13
2" - 50	M10	301	62	184	55	130	252	97	155	182	132	50	43	23	20	180	15	15
2,5" - 65	M10	295	63	177	55	123	252	97	155	182	132	50	46	23	23	180	15	16
3" - 80	M10	331	90	186	55	133	252	97	155	182	132	50	50	25	25	180	15	17
4" - 100	M10	357	105	197	55	144	252	97	155	182	132	50	50	25	25	180	15	18
5" - 125	M10	388	107	226	55	158	252	97	155	182	132	50	60	30	30	180	15	21
6" - 150	M20	523	163	272	89	194	330	146	184	263	190	73	70	34	36	280	20	39
8" - 200	M20	602	207	307	89	225	330	146	184	263	190	73	90	43	47	280	20	64
10" - 250	M20	682	247	347	89	265	330	146	184	263	190	73	110	59	51	280	20	76
12" - 300	M30	754	272	389	93	300	386	170	216	333	245	88	110	55	55	360	20,5	95
14" - 350	M30	833	322	419	93	330	386	170	216	333	245	88	120	60	60	360	20,5	118
16" - 400	M40	908	342	464	102	365	450	201	249	363	265	98	130	60	70	360	23,5	168
18" - 450	M40	1003	392	509	102	418	450	201	249	363	265	98	150	75	75	360	23,5	202
20" - 500	M50	1096	418	568	110	445	533	228	305	470	335	135	160	80	80	360	25	273
22" - 550	M50	1209	445	654	110	505	533	228	305	470	335	135	170	85	85	360	25	362
24" - 600	M60	1252	479	657	117	520	620	281	339	530	395	135	200	105	95	500	34,5	439
26" - 650	M60	1341	504	720	117	585	620	281	339	530	395	135	210	110	100	500	34,5	480
28" - 700	M70	1382	535	726	121	580	696	312	384	580	425	155	229	119	110	500	38,5	553
30" - 750	M70	1459	538	800	121	660	696	312	384	580	425	155	230	115	115	500	38,5	631
32" - 800	M80	1528	604	794	130	638	828	377	451	682	520	162	240	120	120	600	43,5	731
*36" - 900	M80	1641	665	846	130	690	828	377	451	682	520	162	240	120	120	600	43,5	970
*40" - 1000	M80	1789	733	926	130	770	828	377	451	682	520	162	280	140	140	600	43,5	1276

Signes in mm. (Informative only)

*Secondary gear reducer - 1:10 (217.5 turns)

Same distance between faces for wafer, semi-lug, lug and double flange type valves



Nº	NAME	Nº	NAME
1	BODY	33	DRIVING NUT
2	DISC	34	OPERATING SCREW
3	SEAT	36	COVER GASKET
5	SHAFT	37	TOP BUSHING
6	COVER	38	BUSHING
7	SET SCREW	39	BUSHING
8	NUT	41	INDICATOR PLATE
9	THRUST PLATE	42	BOLT
10	SHAFT SPACER	43	BOLT
11	SHAFT BEARING	44	BOLT
12	PACKING HOLDER	45	WASHER
13	DISTANCE PIPE	46	WASHER
14	COVER FLANGE	47	WASHER
15	BOLT	48	BOLT
16	BOLT	49	KEY
17	BOLT	50	O-RING
18	SPRING WASHER	51	O-RING
19	SPRING WASHER	52	WASHER PLATE
21	TAPER PIN	53	O-RING
24	O-RING	54	O-RING
25	O-RING	55	BEARING
26	O-RING	56	STOP BEARING
27	GASKET	57	HAND WHEEL
28	HOUSING	58	KEY
29	COVER	59	GREASE FILLING PLUG
30	SIDE COVER	60	STOP COLLAR
31	SIDE COVER		
32	FORK LEVER		

Specifications

Pressure Rating	ANSI / ASME Class 150 / 300 ISO PN6 / PN10 / PN16 / PN25 JIS 5K / 10K / 16K / 20K
Standard Size Range	DN40 to DN1000 (other dimensions upon request)
Standard Materials	
Body	Nodular Cast Iron GGG-40 / ASTM A536 Carbon Steel ASTM A216 WCB Stainless Steel AISI 316 / AISI 316L / AISI 420 K-Monel / Superduplex / Duplex AlBz ASTM -B148-9D
Disc	Carbon Steel ASTM A216 WCB Stainless Steel AISI 304 / AISI 316 / AISI 316L / AISI 420 AlBz ASTM B-148-9D K-Monel / Superduplex / Duplex
Shaft	Stainless Steel AISI 304 / AISI 316 / AISI 316L / AISI 420 Duplex / Superduplex / Monel K500

Other materials possible upon request

Dennis Nakakita has a global network with offices in Europe, USA and Asia.



HEAD OFFICE MADRID



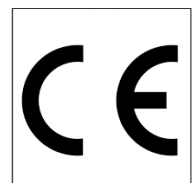
FACTORY SPAIN

Dennis Nakakita operate around the world in different markets as Oil & Gas, Marine & Shipbuilding, Navy, Energy & Water.

DENNIS NAKAKITA is accredited for ISO 9001:2008 by Det Norske Veritas and has also been awarded Worldwide Chamber Trust Seal certificate.



Our equipment has also the Type Approval Certificate from American Bureau of Shipping, Bureau Veritas, Lloyd's Registers, Det Norske Veritas, and also the CE.



www.dennisnakakita.com

DENNIS NAKAKITA, S.A.

c/ Badajoz, 2 – Urb. “La Cabaña”

28223 Pozuelo de Alarcón

Madrid – Spain

Tel. +34 91 352 64 65

Fax. +34 91 352 42 34

Contact

E-mail: dennis@dennisnakakita.com
